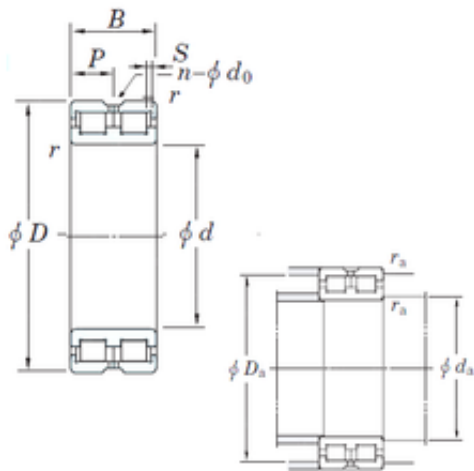




BEARING-SINGAPORE (PTE)LTD.



DC4864VW KOYO Full complement cylindrical roller bearings

Bearing No. DC4864VW

Size	320x400x80 mm
Bore Diameter	320 mm
Outer Diameter	400 mm
Width	80 mm
d	320 mm
D	400 mm
B	80 mm
C	80 mm
n	8 mm
p	40 mm
r min.	2,1 mm
S	6 mm
da min.	332 mm
Da max.	388 mm
ra max.	2 mm
Weight	24,3 Kg
Basic dynamic load rating (C)	832 kN
Bearing No.	DC4864VW
r(min)	2.1
Cr	832
C0r	2310
S	6 mm
P	40
n(qty)	8
do	6

DC4864VW Bearing 2D drawings and 3D CAD models



BEARING-SINGAPORE (PTE)LTD.

da(min)	332
Da(max)	388
ra(max)	2
(Refer.)Mass(Fixed side)(kg)	23.5